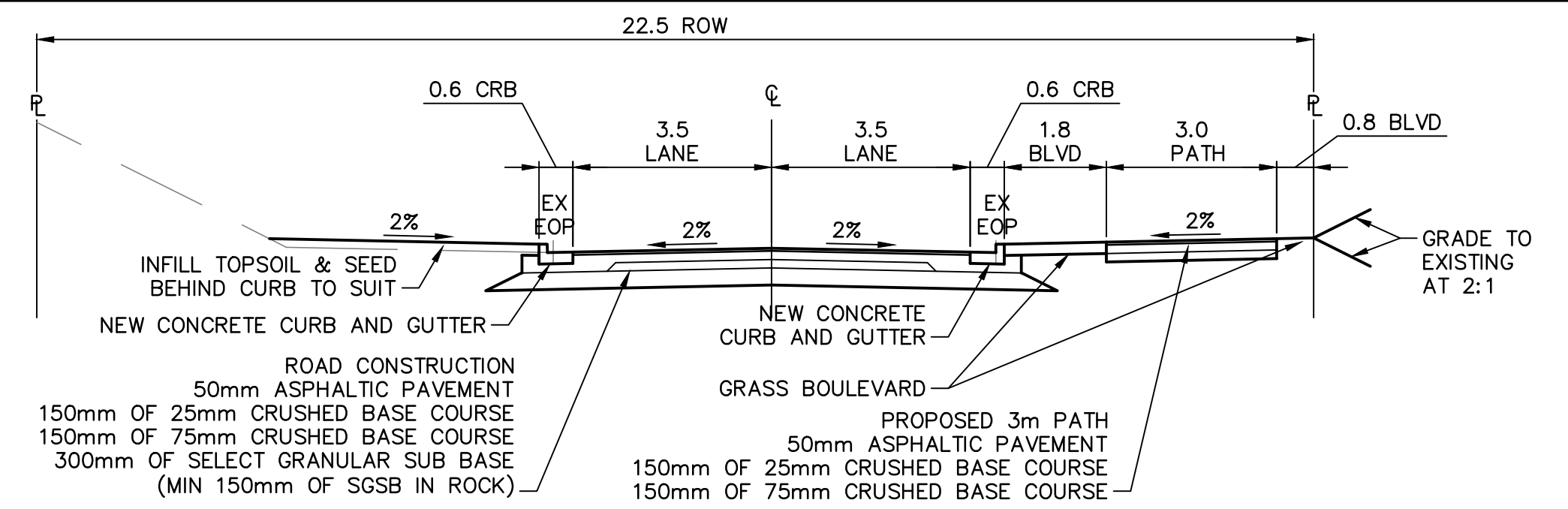
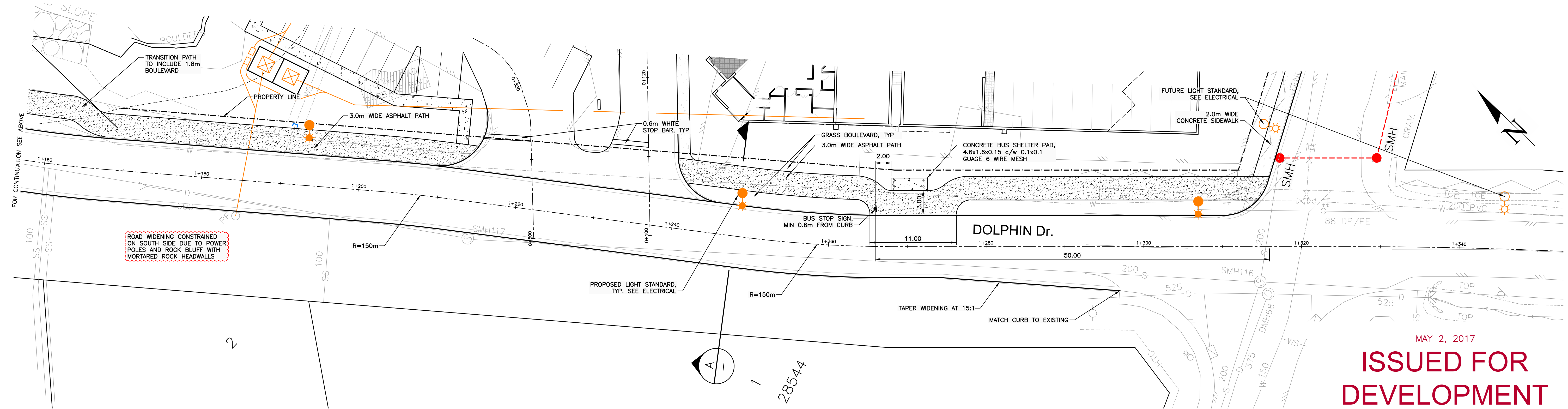
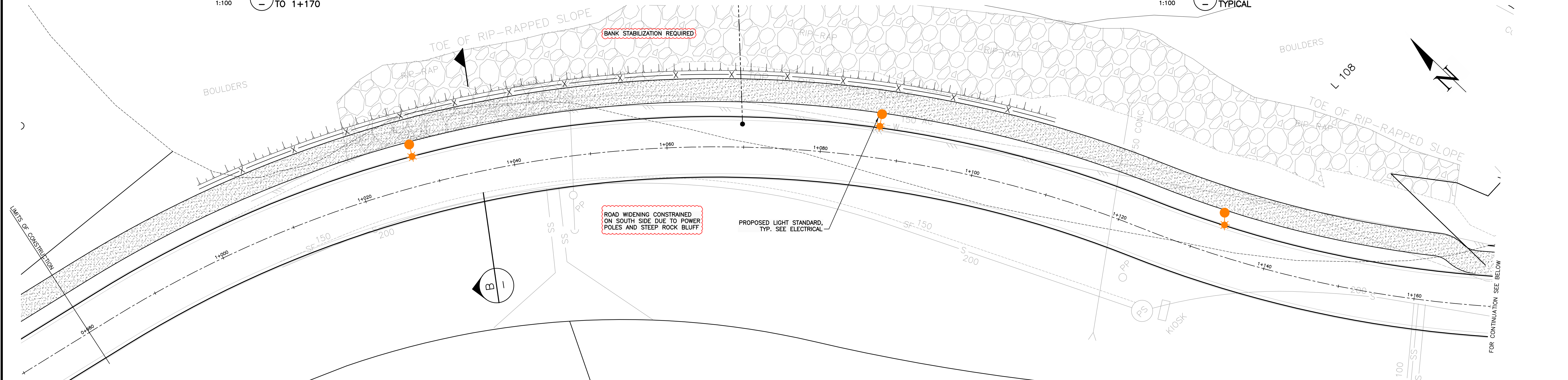


SECTION B ROAD 1+000 TO 1+170
1:100



SECTION A ROAD TYPICAL
1:100



MAY 2, 2017
ISSUED FOR DEVELOPMENT PERMIT

FAIRWINDS LANDING 15-338-238-C-03 5/22/2017 10:42 AM 03

THIS DRAWING AND DESIGN IS THE PROPERTY OF McElhanney Consulting Services Ltd. and shall not be used, reused, or reproduced without the consent of the said company. McElhanney Consulting Services Ltd. will not be held responsible for the improper or unauthorized use of this drawing and design.

NO.	DATE	BY	ISSUED	NO.	DATE	BY	REVISIONS

McElhanney
McElhanney Consulting Services Ltd.
500 - 3960 QUADRA STREET PH (250) 370-9221
VICTORIA, BC V8X 4A3 FAX (250) 370-9223

SEAL

PROJECT: FAIRWINDS LANDING
3521 DOLPHIN DR. NANOOSE BAY, BC

TITLE: PLAN - DOLPHIN DRIVE

SCALE: HORIZ: 1:250 VERT: 1:100
PROJECT NO. 15-338 ISSUED/REVISION 15-338
APPROVING AUTHORITY FILE NO.
DRAWING NO. 2243-15-238-C.03